



PSC-20012

denver.eu

02/2025



FR

Cette batterie
est recyclable

À DÉPOSER
EN MAGASIN



À DÉPOSER
EN DÉCHÈTERIE

OU



Points de collecte sur www.quefairedemesdechets.fr
Privilégiez la réparation ou le don de votre appareil !

Important safety information

WARNING: Please read the safety instructions carefully before using the product for the first time and keep the instructions for future reference.

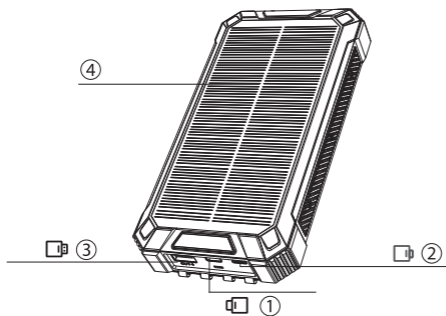
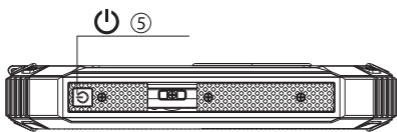
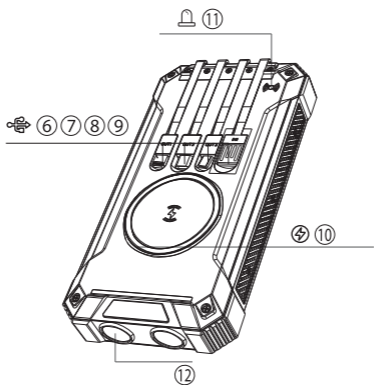
- 1.This product is not a toy. Keep it out of reach of children.
- 2.Please keep the product away from pets.
- 3.Warning! This power bank is with lithium polymer battery inside.
- 4.Do not try to open the power bank.
- 5.Do not expose to heat, water, moisture, direct sunlight!
- 6.Do not attempt to replace the battery yourself- you may damage the battery, which could cause overheating and injury. Repairs or service should only be performed by qualified personnel.
- 7.Battery must be recycled or disposed of separately from household waste. Do not incinerate the battery.
- 8.To reduce the risk of fire or electric shock, do not expose this product to rain or moisture.
- 9.Please remove the USB charging cable when the power bank is fully charged.
- 10.Product operating and storage temperature is from 5 degrees Celsius to 40 degrees Celsius. Under and over this temperature might affect the function.
- 11.Do not drop or expose to impact or shock in any way.

Warnings

- i.Lithium battery inside!
- ii.Do not try to open the product!
- iii.Do not expose to water and moisture.

Product Description

1. 5V Input/ Output (Type-C port)
2. 5V Input (Micro USB Port)
3. 5V Output (USB)
4. 5V Input (Solar Panel charging)
5. Power button
6. 5V Output (Lightning cable)
7. 5V Output (Type-C cable)
8. 5V Output (Micro USB cable)
9. 5V Input (USB-A cable)
10. 5W Wireless output
11. Wireless charging indicator light
12. LED torch with 3 mode (LED/SOS/Flash)



OPERATION INSTRUCTIONS

1、 Turn on/off

Briefly press the power button, then the LED battery indicators and wireless charging function are on.

If you do not need the LED battery indicators and wireless charging function, just plug in your device then it will charge.

If there are no devices being connected, the power bank will automatically shut down in 30 seconds.

2、 How to charge the power bank

(1)、 Power supply

Connect the TYPE-C input port and wall/car adapter USB port with a cable. The blue LED indicators will be flashing while charging. The power bank is fully recharged when the indicators are steadily on.

(2)、 Built-in USB-A Cable

Using the built-in Cable Connected with wall/car adapter USB port. The blue LED indicators will be flashing while charging. The power bank is fully recharged when the indicators are steadily on.

(3)、 Solar charging

Place the power bank outside in direct sunlight, The green light is on, indicating the unit is being charged. (Do not leave the power bank in an unattended vehicle, as the high temperature candamage the unit.)

3、 Charge mobile phones or other devices

Cable Charging

Press the power button, then plug two ends of the cable into an USB output port and the devices. USB port and TYPE-C port support 5V/3A fast charging.

Wireless charging

Press the power button, the blue indicators on the solar panel and the wireless charging green indicator are on,

Put your mobile phone in the wireless charging area and it will start charging. The wireless indicator will turn flashing green while charging.

If you normally use a protective case for your phone, make sure that your phone case is not made of metal and its thickness is less than 6mm.

4、 Three indicator lights below the wireless charging area

(1)、 Green indicator light: Wireless charging is in standby, wireless charging->Flashing green

(2)、 Red indicator light: Foreign object detection->Solid red

5、 LED flashlight function

(1)、 Strong Light Mode: Press the power button for about 3 seconds to turn on the LED flashlight.

(2)、 Strobe Light Mode: Press the power button again.

(3)、 SOS Light Mode: Press power button again, and SOS mode is on.

TECHNICAL SPECIFICATIONS

Battery Capacity	20000mAh
Battery Type	LiPo
Type-C Port Input	5V/2.5A
Type-C Port Output	5V/3A
Micro USB Port Input	5V/2A
USB-A Cable For Recharge The Powerbank/Input	5V/2A
Type-C Cable Output	5V/3A
Micro USB Cable Output	5V/2.1A
Lightning Cable Output	5V/2.1A
USB Output	5V/3A
Solar Panel Charging Input	5V/0.25A
Wireless Output	5W
LED Torch With 3 Mode	LED/SOS/Flash
Weight	0.486Kg(1.07lb)
Dimension	173*89*29mm

Please notice - All products are subject to change without any notice. We take reservations for errors and omissions in the manual.

ALL RIGHTS RESERVED, COPYRIGHT DENVER A/S



denver.eu



Electric and electronic equipment and included batteries contains materials, components and substances that can be hazardous to your health and the environment, if the waste material (discarded electric and electronic equipment and batteries) is not handled correctly.

Electric and electronic equipment and batteries is marked with the crossed out trash can symbol, seen above. This symbol signifies that electric and electronic equipment and batteries should not be disposed of with other household waste, but should be disposed of separately.

As the end user it is important that you submit your used batteries to the appropriate and designated facility. In this manner you make sure that the batteries are recycled in accordance with legislature and will not harm the environment.

All cities have established collection points, where electric and electronic equipment and batteries can either be submitted free of charge at recycling stations and other collection sites, or be collected from the households. Additional information is available at the technical department of your city.

Hereby, Denver A/S declares that the radio equipment type PSC-20012 is in compliance with Directive 2014/53/EU. The full text of the EU declaration of conformity is available at the following internet address: denver.eu and then click the search ICON on topline of website. Write model number: PSC-20012. Now enter product page, and RED directive is found under downloads/other downloads.

Operating Frequency Range: 110~205KHz

Max Output Power: 5W

DENVER A/S

Omega 5A, Soeften

DK-8382 Hinnerup

Denmark

www.facebook.com/denver.eu

Contact

Main contact point: contact.hq@denver.eu

Nordics

Headquarter
Denver A/S
Omega 5A, Soeften
DK-8382 Hinnerup
Denmark

Phone: **+45 86 22 61 00**
(Push "1" for support)

E-Mail
For technical questions, please write to:
support.hq@denver.eu

For all other questions please write to:
contact.hq@denver.eu

Benelux

DENVER BENELUX B.V.
Barwoutswaarder 13C+D
3449 HE Woerden
The Netherlands

Phone: **0900-3437623**
E-Mail: **support.nl@denver.eu**

Spain/Portugal

DENVER SPAIN S.A
Ronda Augustes y Louis Lumiere, n° 23 – nave
16
Parque Tecnológico
46980 PATERNA
Valencia (Spain)

Spain
Phone: **+34 960 046 883**
Mail: **support.es@denver.eu**

Portugal:
Phone: **+35 1255 240 294**
E-Mail: **denver.service@satfiel.com**

Germany

Denver Germany GmbH Service
Max-Emanuel-Str. 4
94036 Passau

Phone: **+49 851 379 369 40**

E-Mail
support.de@denver.eu

Fairfixx GmbH
Repair and service
Rudolf-Diesel-Str. 3 TOR 2
53859 Niederkassel

(for TV, E-Mobility/Hoverboards/Balanceboards,
Smartphones & Tablets)

Phone: **+49 851 379 369 69**
E-Mail: **denver@fairfixx.de**

Austria

Lurf Premium Service GmbH
Deutschstrasse 1
1230 Wien

Phone: **+43 1 904 3085**
E-Mail: **denver@lurfservice.at**

Poland

LetMeRepair Poland sp. z o.o.

ul. Częstochowska 140
62-800 Kalisz

Phone: **62 75 38 092**
E-Mail: **denver-service@letmerepair.pl**

Godziny pracy: 8 – 18 (poniedziałek – piątek)

If your country is not listed above,
please write an email to
support@denver.eu



Denver A/S
Omega 5A, Soeften
DK-8382 Hinnerup
Denmark

denver.eu
facebook.com/denver.eu

