

## FPMA-D960D3

### SPECIFICATIONS

#### GENERAL

Min. screen size*	10
Max. screen size*	21
Min. weight	0
Max. weight	6
Screens	3
Desk mount	Clamp
VESA maximum	100x100 mm
VESA minimum	75x75 mm

#### FUNCTIE

Type	Tilt Rotate Swivel Full motion
Height adjustment	0-45 cm
Depth adjustment	10-43 cm
Tilt (degrees)	180°
Swivel (degrees)	180°
Rotate (degrees)	360°
Adjustment type	Manual

#### INFORMATION

Color	Black
Main material	Steel
Warranty	5 year

\*Please note: The inch sizes stated are just an indication, combined with the weight and VESA sizes. The maximum weight and VESA size are absolute restrictions for the products and should not be exceeded.

## NEOMOUNTS FPMA-D960D3 MONITOR ARM 10-21"



Neomounts



Neomounts

### Neomounts FPMA-D960D3 Triple monitor arm - 10-21" - 0-6 kg/screen - black

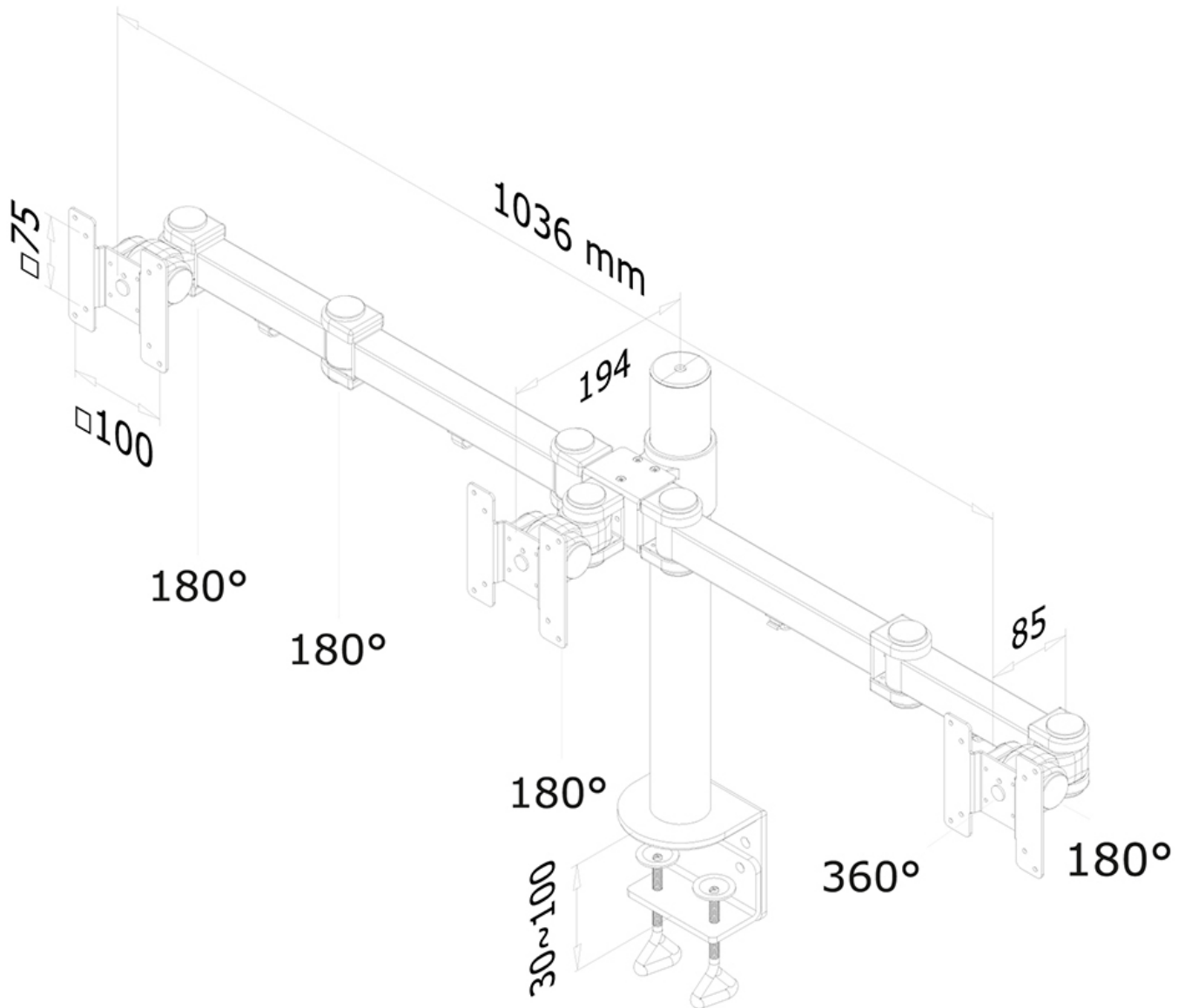
The Neomounts desk mount, model FPMA-D960D3 is a tilt-, swivel and rotatable desk mount for 3 flat screens up to 21". This mount is a great choice for space saving placement on desks using a desk clamp.

Neomounts versatile tilt (180°), rotate (360°) and swivel (180°) technology allows the mount to change to any viewing angle to fully benefit from the capabilities of the flat screen. The mount is manually height adjustable from 0 to 45 centimetres. Depth adjustable from 10 to 43 centimetres. An innovative cable management conceals and routes cables from mount to flat screen. Hide your cables to keep the workplace nice and tidy.

Neomounts FPMA-D960D3 has three pivot points and is suitable for screens up to 21" (53 cm). The weight capacity of this product is 6 kg each screen. The desk mount is suitable for screens that meet VESA hole pattern 75x75 or 100x100mm. Different hole patterns can be covered using Neomounts VESA adapter plates.

By using an ergonomic mount neck- and back complaints can be avoided. Ideal for use in offices and on counters or in a reception area.

All installation material is included with the product.



Neomounts