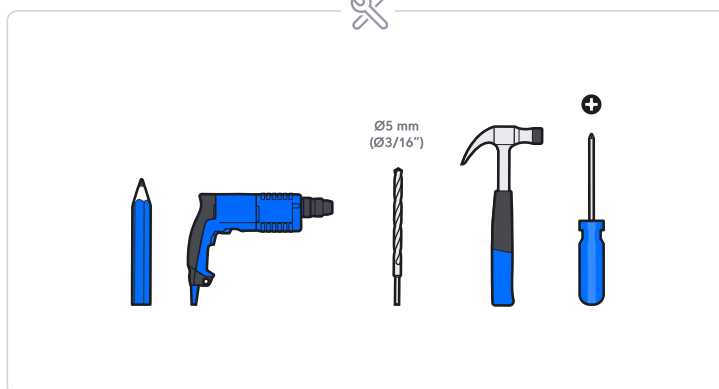
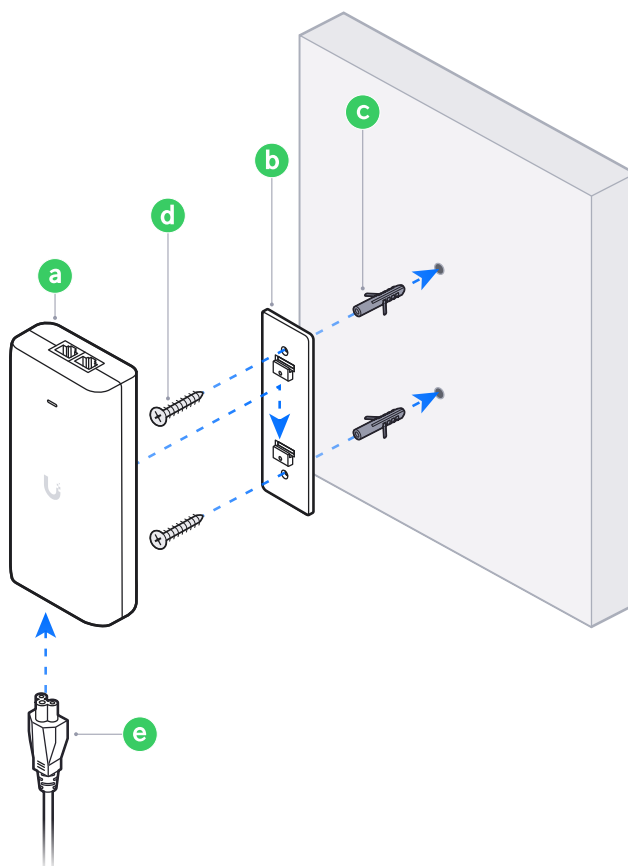
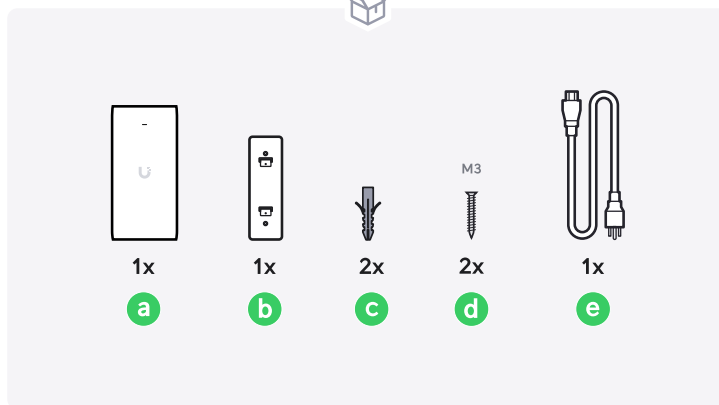
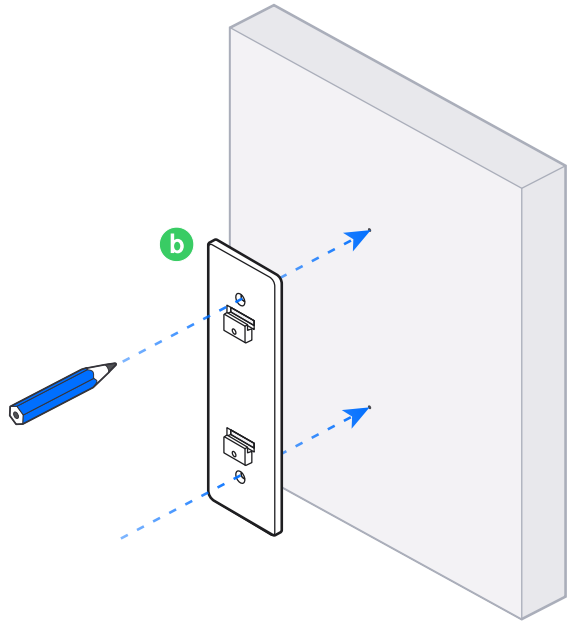
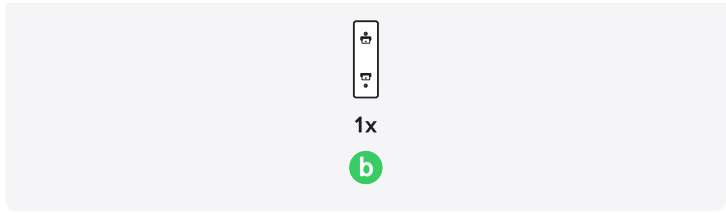




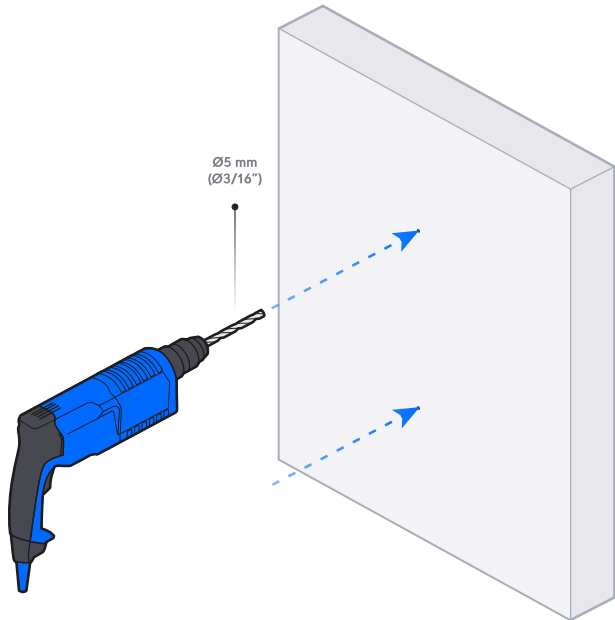
**PoE+++ Adapter
(10G - 90W)**



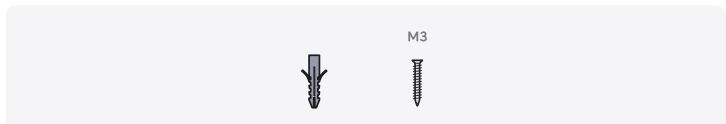
1



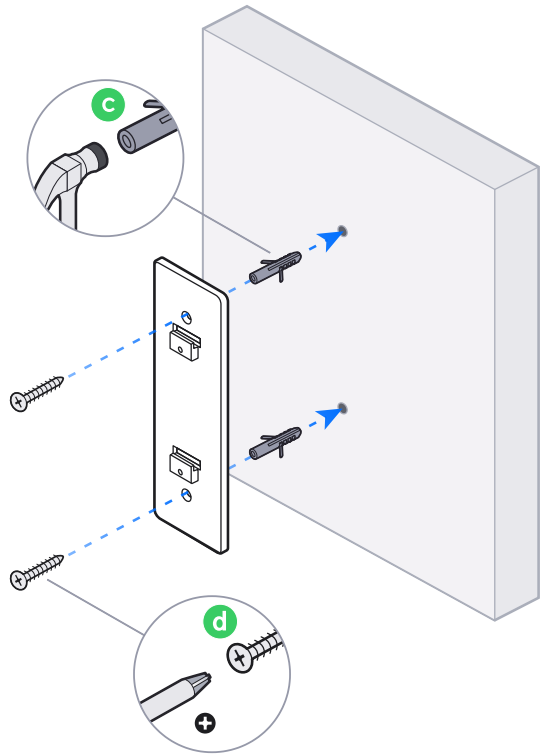
2



3

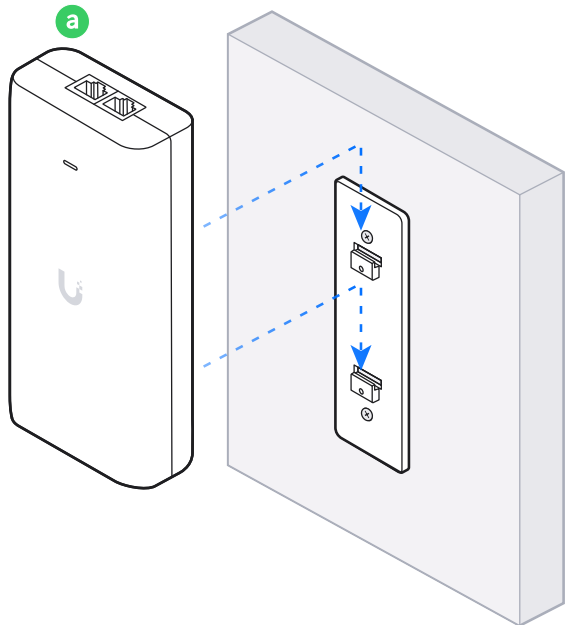


2x 2x
c d



4

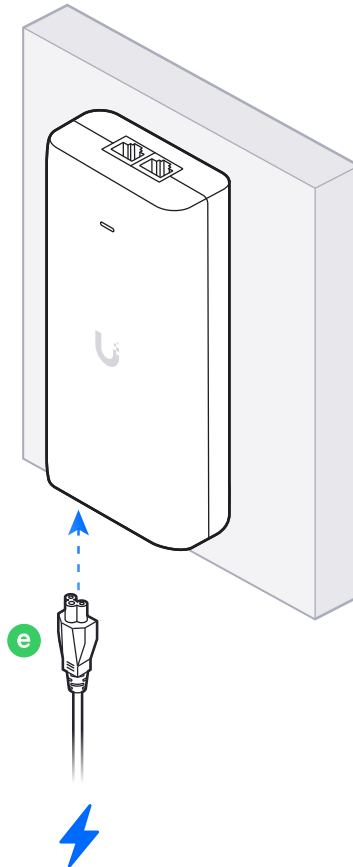
1x
a



5



1x



If you need further assistance, visit our [Help Center](#) or contact [Ubiquiti Support](#).

